



# FSI H20S-5

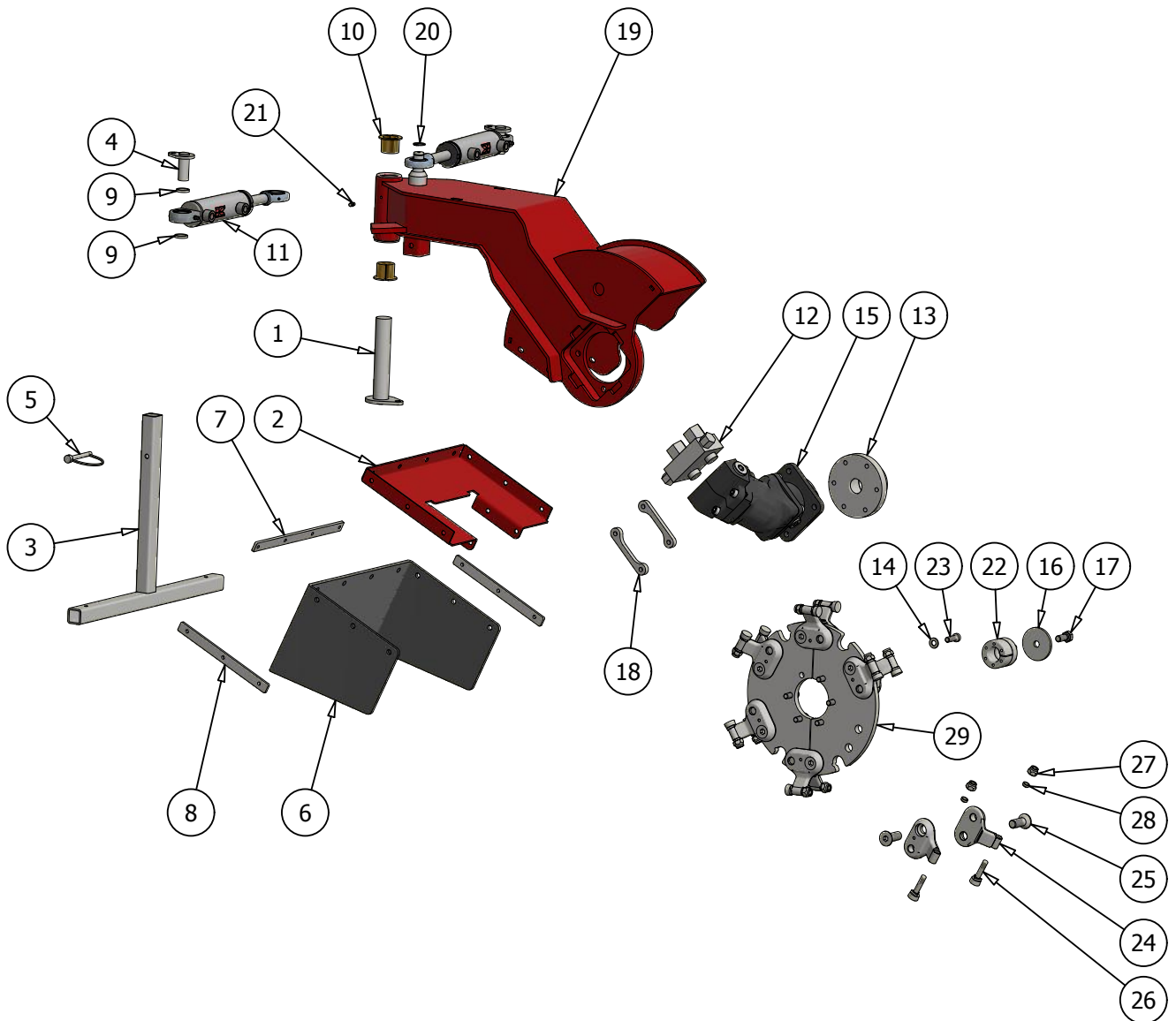
## Spare Parts List

For Product number:

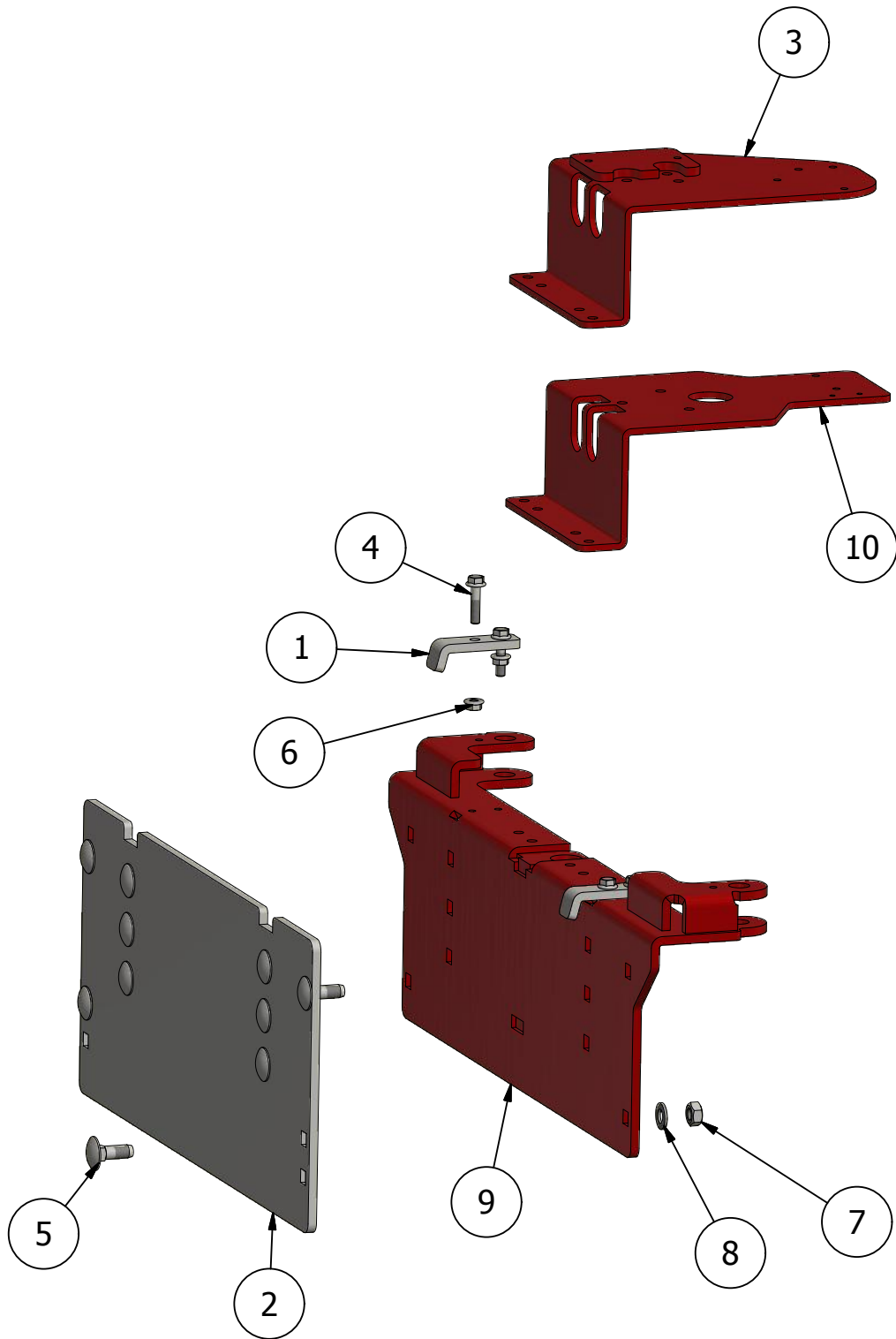
| A201500 |



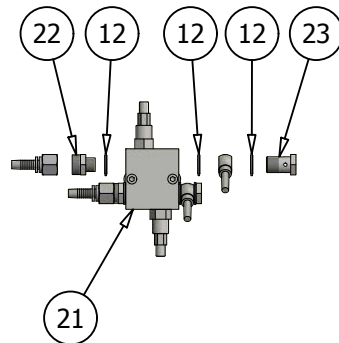
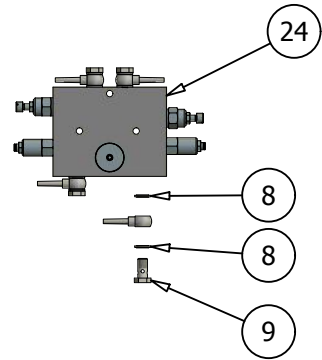
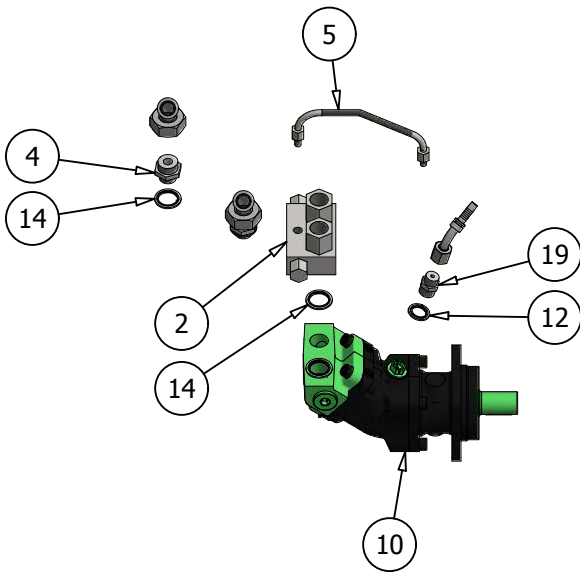
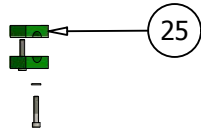
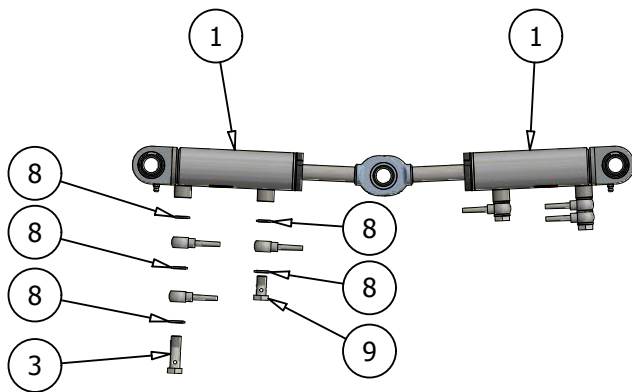
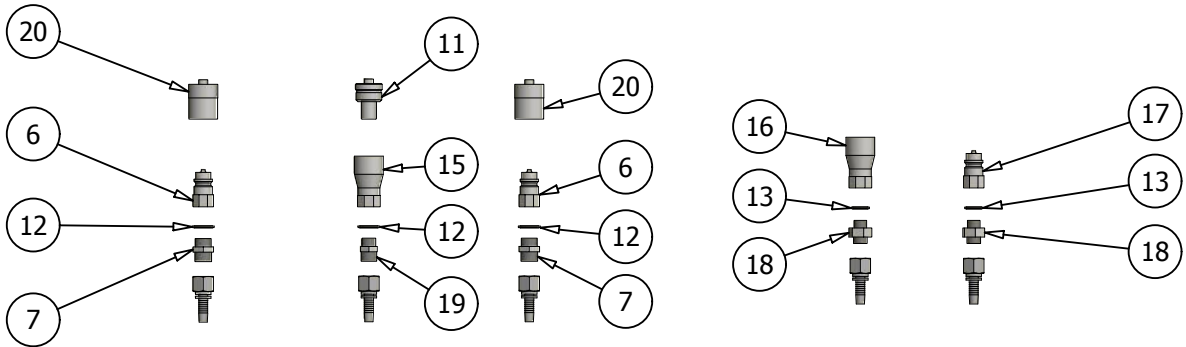
Version 2.2, 01-2019, English



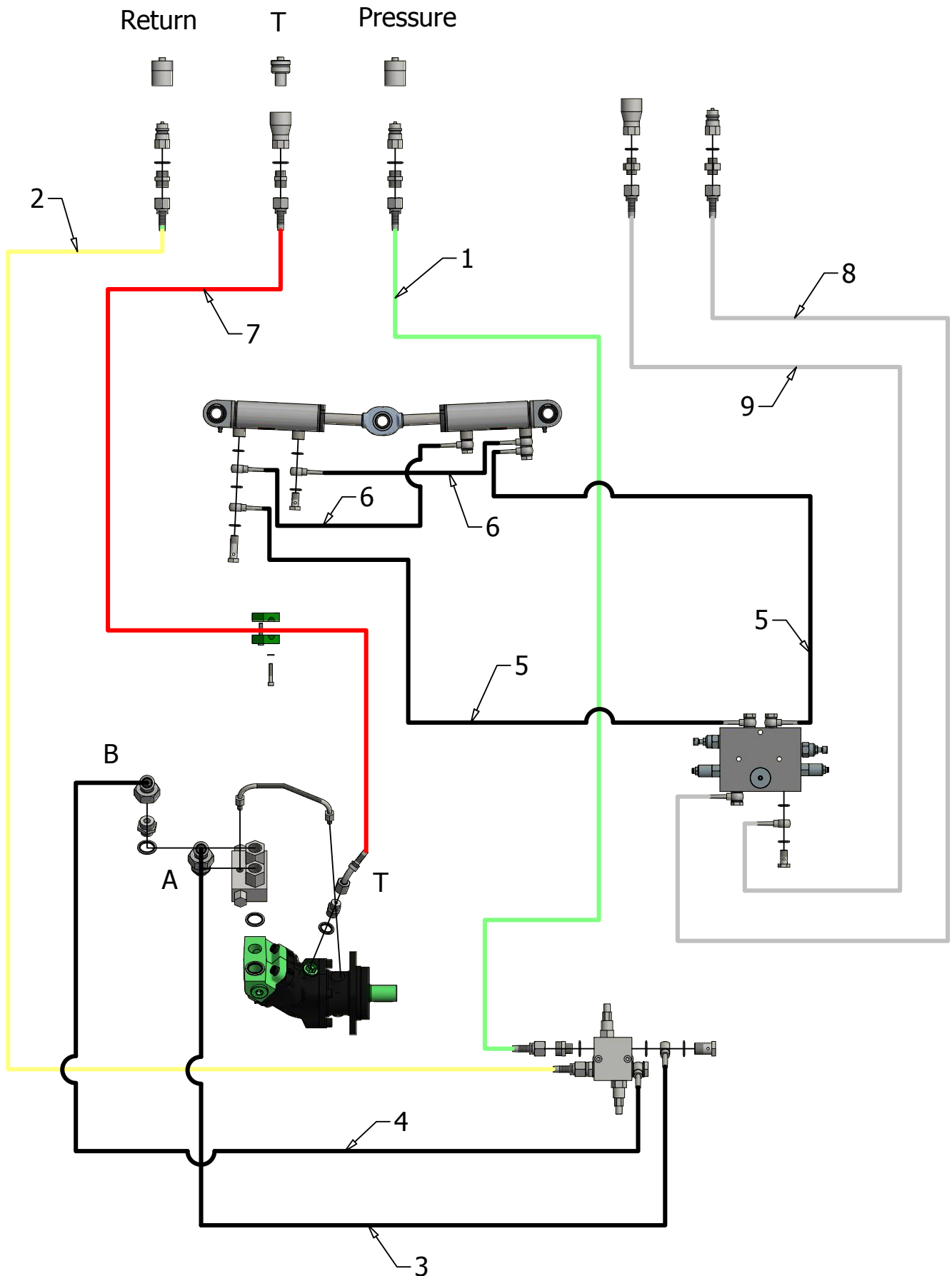
Pos.	Pcs.	Part/No	Description
1	1	55500074	Cyl. Bolt $\varnothing$ 30x160
2	1	55500939	Guard for Rubber Protection steel part H20
3	1	55501421	Stand H20S
4	2	55500080	Cyl. Bolt $\varnothing$ 20x45
5	1	20030018	Lock Pin $\varnothing$ 8X60
6	1	55500917	Rubber Protection H20
7	1	44702600	Mounting Strip 305mm - 4 Holes
8	2	44301400	Mounting Strip 230mm - 3 Holes
9	4	44275604	Washer f. HY-Cylinder
10	2	20040019	Bronze Bushing $\varnothing$ 30 w. Flange
11	2	20026028	HY-Cylinder 90-20-40- $\varnothing$ 20
12	1	20022148	Free Wheel Valve f. SCM025
13	1	55501362	Hub for cutting wheel H20
14	6	39102120	Washer M10
15	1	20022001	Hydraulic Motor Sunfab H20
		20022103	Sealing Set H20/H20S
16	1	55501380	Cover f. Clamp
17	1	33010030	Bolt Insex M10X35 Black 12.9
18	2	55501381	Bracket f. motor H20S
19	1	55501396	Housing H20S
20	1	20070041	Snap Ring External $\varnothing$ 20
21	1	20030011	Grease Nipple M6
22	1	20050126	Clamping Set H20 H40 H40S
23	6	33510030	Bolt Insex 12.9 M10x30
24	12	12054500	Holder CC45mm for tooth $\varnothing$ 20,5mm
25	12	12051016	Bolt L=51mm for Holder $\varnothing$ 17-20-24,5mm
		12050000	Tooth $\varnothing$ 20,5mm w. Extra Nut (Pos 26, 27x2, 28)
26	12	12050000-T	Tooth $\varnothing$ 20,5mm
27	12	12050000-N	Nut f. Tooth $\varnothing$ 20,5 + Tooth $\varnothing$ 17,5
28	12	12050000-W	Washer f. Tooth $\varnothing$ 20,5mm
29	1	55501513	Cutter Wheel Set, H20



Pos.	Pcs.	Part/No	Description
1	2	55501866	Mounting Guide Hook
2	1	55501522	Unpainted Attachment H20S+H40S
3	1	55501419	Bracket f. Valves - 3 Hose Machines
4	4	32008035	Bolt w. Flange M8x35
5	10	37016051	Carriage Bolt M12x35
6	4	37000408	Flange Nut w. Lock M8
7	10	38000208	Locknut M8
8	10	39122425	Washer M12
9	1	55502189	Standard FSI Mount Base
10	1	55502524	Bracket f. Valve - 5 Hose Machines



Pos.	Pcs.	Part/No	Description
1	2	20026028	HY-Cylinder 90-20-40-Ø20
2	1	20022148	Free Wheel Valve f. SCM025
3	2	20024047	Banjo Bolt 1/4" Double
4	2	20024045	Adaptor 3/4-15L
5	1	20023019	Hose Flushing H20S
6	2	20024062	Quick Coupler Faster 1/2" Male
7	2	20024058	Adapter 1/2"-15L
8	18	20024066	Bonded Seal 1/4"
9	6	20024068	Banjo Bolt 1/4"
10	1	20022001	Hydraulic Motor Sunfab H20
		20022103	Sealing Set H20/H20S
11	1	20024064	Dust Cap f. 1/2" Female Faster Coupling
12	10	20024044	Bonded Seal 1/2"
13	2	20024080	Bonded Seal 3/8"
14	4	20024043	Bonded Seal 3/4"
15	1	20024063	Quick Coupler Faster 1/2" Female
16	1	20024060	Quick Coupler Faster 3/8" Female
17	1	20024061	Quick Coupler Faster 3/8" Male
18	2	20024126	Adaptor 3/8" - 12L
19	2	20024046	Adaptor 1/2"-12L
20	2	20024065	Dust Cap f. Faster 1/2" Male
21	1	20025030	Double Releaf Valve 1/2" 250Bar
22	2	20024059	Adapter 1/2"-18L
23	2	20024057	Banjo Bolt 1/2"
24	1	60000811	Valve
25	1	20024118	Hose Clamper Ø16





Pos.	Pcs.	Part/No	Description
1	1	20023022	Hydraulic Hose 1/2" 470mm
2	1	20023026	Hydraulic Hose 1/2" 500mm
3	1	20023021	Hydraulic Hose 1/2" 855mm
4	1	20023027	Hydraulic Hose 1/2" 820mm
5	2	20023801	Hydraulic Hose 1/4" 220mm
6	2	20023013	Hydraulic Hose 1/4" 380mm
7	1	20023020	Hydraulic Hose 3/8" 1660mm
8	1	20023802	Hydraulic Hose 1/4" 650mm
9	1	20023803	Hydraulic Hose 1/4" 700mm